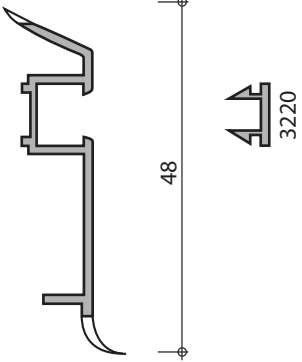


ROEMEG

TYPE	PROFILES DRAWING	WEIGHT/ LENGTH
RT 3219/20 PVC skirting		0,21 kg/m ¹ L = 2400 mm